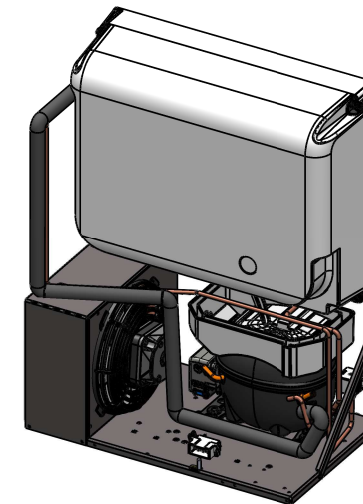


STB#XX6PLV22S



STB#XX6PLV22D

- Compressor : Secop KLF4.0CND RSCR 220-240V 50Hz
- Compressor cooling capacity : 280,3 W\*
- Refrigerant : 42 g - R290
- Power consumption : 177 W
- Intensity : 1 A
- Operating temperature : -2 / +10 °C
- Climate class : 5 (according to EN22041)
- Refrigerated volume : 2-3 doors
- Defrost type : Hot gas valve

\*EN12900 conditions: ambient temperature +32°C/ condensing +50°C/ evaporating -10°C

Tutti i dati sono indicativi e possono essere modificati da TECO senza preavviso.  
All data are approximate and they may be changed without notice by TECO.

Material:	Drawing: STB#XX6PLV22D/S datasheet		
Thickness:	File: STB#XX6PLV22D-S_datasheet_20240109		
Finishing:	Your code:	Code: STB#X6PLV22D/S	
Volume:	Tol.	Scale: 1:10	Date: 15/01/2024
Approved:	Via Gregorio Ricci Curbastro, 8 48124 Fornace Zarattini - RA - ITALY Tel. +39 0544 408333 Fax 280084 <a href="http://www.tecoonline.com">http://www.tecoonline.com</a>		
	Drawer: Francesco		