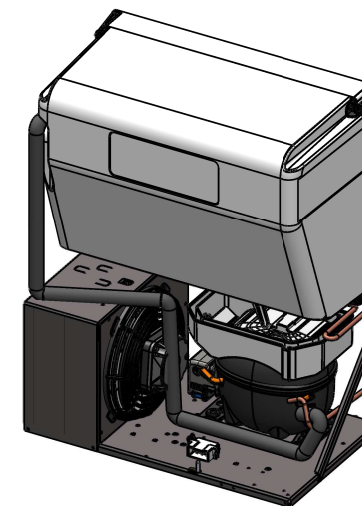
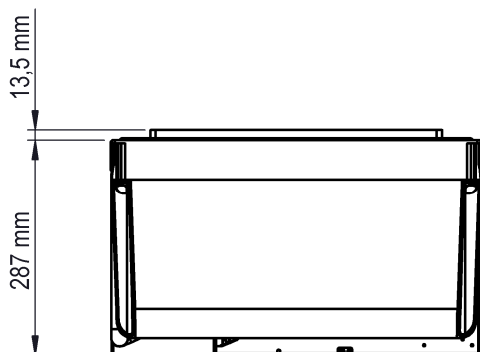


STB#XX6PHX22S



STB#XX6PHX22D



- Compressor : Secop KLF5.6CND RSCR 220-240V 50Hz
- Compressor cooling capacity : 414,9 W *
- Refrigerant : 59 g - R290
- Power consumption : 244 W
- Intensity : 1,29 A
- Operating temperature : +2 / +10 °C
- Climate class : 5 (according to EN22041)
- Refrigerated volume : 4-5 doors
- Defrost type : Natural

* EN12900 conditions: Ambient temperature +32°C/ condensing +50°C/ evaporating -10°C

Tutti i dati sono indicativi e possono essere modificati da TECO senza preavviso.
All data are approximate and they may be changed without notice by TECO.

Material:	Drawing: STB#XX6PHX22D/S datasheet		
Thickness:	File: STB#XX6PHX22D-S_datasheet_20240110		
Finishing:	Your code:	Code: STB#XX6PHX22D/S	
Volume:	Tol.	Scale: 1:10	Date: 15/01/2024
Approved:	Via Gregorio Ricci Curbastro, 8 48124 Fornace Zarattini - RA - ITALY Tel. +39 0544 408333 Fax 280084 http://www.teconline.com		
	Drawer: Francesco		

AS BY LAW ENACTED, WE RESERVE US THE PROPERTY OF THIS DOCUMENT WITH THE PROHIBITION OF REPRODUCE IT, SAVE IT INTO ARCHIVES SYSTEM, GIVE IT OR HOWEVER LENT IT TO THIRD PARTY, WITHOUT OUR AUTHORIZATION. EVERY VIOLATION INVOLVES THE COMPENSATION FOR THE UNDERGONE DAMAGES. WE MAKE RESERVATIONS ABOUT ALL THE RIGHTS DERIVING FROM PATENTS OR MODELS.

Modify:

Drawer: