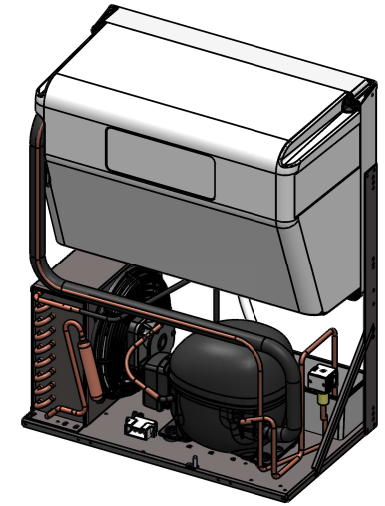


STB#XX6NLV22S



STB#XX6NLV22D

- Compressor : Secop NLE12.6CNL RSIR 220-240V 50Hz
- Compressor cooling capacity : 383 W *
- Refrigerant : 80 g - R290
- Power consumption : 355 W
- Intensity : 2,26 A
- Operating temperature : -20 / -15°C
- Climate class : 5 (according to EN22041)
- Refrigerated volume : 2-3 doors
- Defrost type : Hot gas valve

*EN12900 conditions: Ambient temperature +35°C/ condensing +50°C / evaporating -30°C

Tutti i dati sono indicativi e possono essere modificati da TECO senza preavviso.
All data are approximate and they may be changed without notice by TECO.

Material:	Drawing:STB#XX6NLV22D/S datasheet		
Thickness:	File: STB#XX6NLV22- _datasheet_20240109		
Finishing:	Your.code:	Code: STB#XX6NLV22D/S	
Volume:	Tol.	Scale: 1:10	Date: 09/01/2024
Approved:	Via Gregorio Ricci Curbastro, 8 48124 Fornace Zarattini RA-ITALY Tel. +39 0544 408333 Fax 280084 http://www.tecoonline.com		
	Drawer: Francesco		