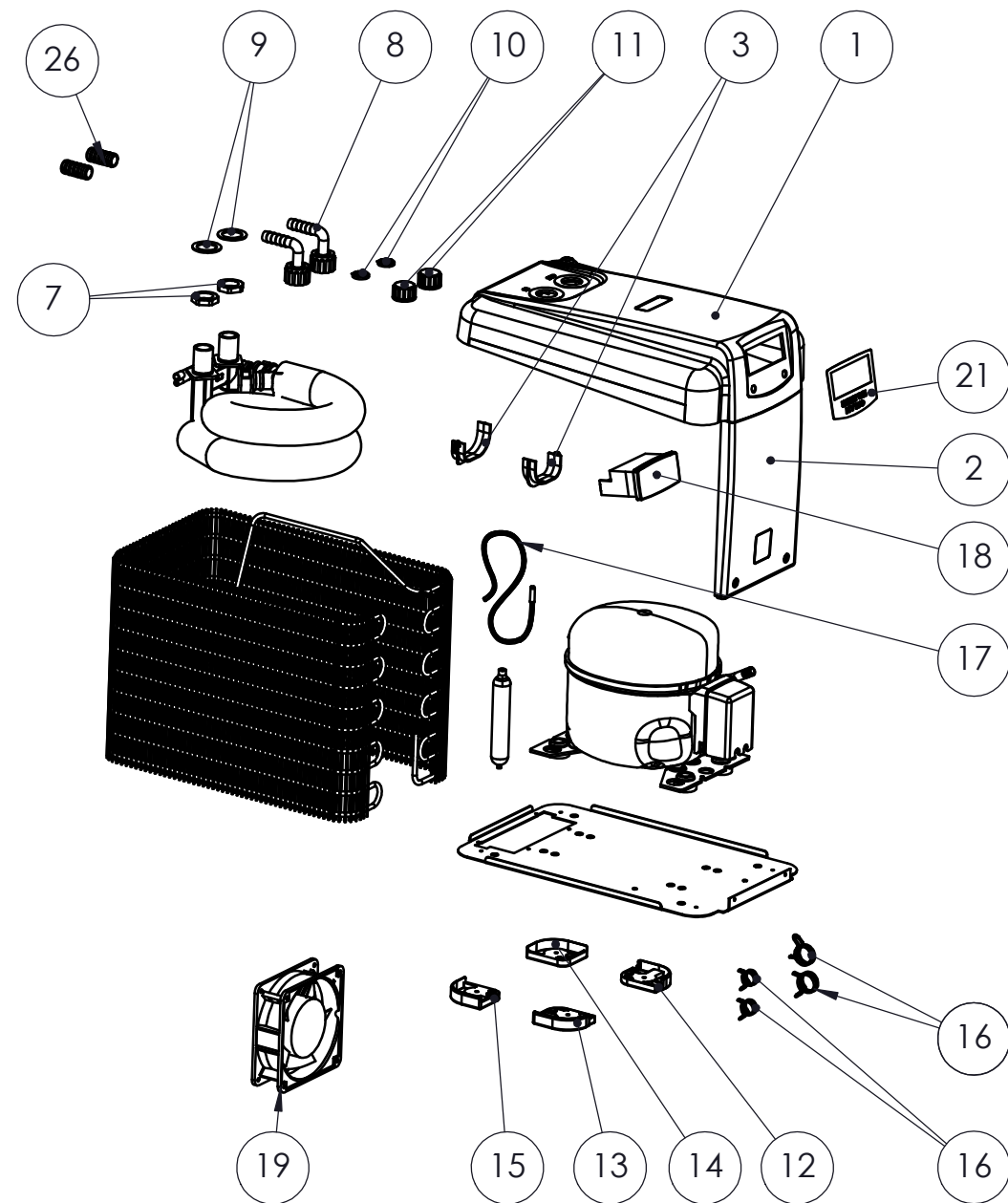


N	CODE	DESCRIZIONE	DESCRIPTION
1	1.1.030	Carenatura HY	Fairing
2	1.1.029	Frontale carenatura	Front fairing
3	1.2.231	Supporto scambiatore	Exchanger support
7	2.4.034	Collare filettato 1/2"	1/2" threaded collar
8	2.4.081	Portagomma curvo 1/2"x12	Pipe holder 1/2"x12
9	2.4.177	Guarnizione carenatura	Fairing gasket
10	2.4.178	Guarnizione EPDM 1/2"	EPDM gasket 1/2"
11	2.9.056	Tappo nylon 1/2"	Nylon cap 1/2"
12	3.5.104	Piedino n.1 HY	Foot n.1
13	3.5.105	Piedino n.2 HY	Foot n.2
14	3.5.106	Piedino n.3 HY	Foot n.3
15	3.5.107	Piedino n. 4 HY	Foot n.4
16	3.5.094	Fascetta a molla d15,5 (per tubo d12)	Hose clamp d15,5 (for d12 pipe)
	3.5.095	Fascetta a molla d21,2 (per tubo d16)	Hose clamp d21,2 (for d16 pipe)
17	4.1.021	Sonda termostato fornire montata sul connettore 4.6.136	Thermostat probe Supply with 4.6.136 connector
18	TERM01#XX24HY1CC TERM01#XX24HY1CF	Termostato 230V-50Hz e 230V-60Hz °C Termostato 230V-50Hz e 230V-60Hz °F	Thermostat 230V-50Hz and 230V-60Hz °C Thermostat 230V-50Hz and 230V-60Hz °F
19	4.3.075	Ventilatore 230V Fornire con i terminali 4.6.205 e il connettore 2 vie 4.6.183 montati	Fan 230V To supply assembled with pins 4.6.205 and 2-ways connector 4.6.183
21	6.2.555	Etichetta termostato HY	Thermostat label
22	6.3.055	Imballo singolo HY	Packaging box
23	6.9.015	Imballo polistirolo	Styrofoam packaging
25	4.1.280	Parti elettriche compressore (condensatore incluso)	Compressor electrical parts (capacitor included)
26	2.4.199	Adattatore per tubo ID16	Adaptor for ID16 pipe



Material:	Drawing: 230V 50Hz TK150 Spare parts R290		
Thickness:	File: Spare_parts_HYB		
Finishing:	Your.code:	Code:	
Volume:	Tol.	Scale: 1:8	Date: 21/06/2022
Approved:	Via A.Sansovino, 35 48124 RAVENNA - ITALY Tel. +39 0544 408333 Fax 280084 http://www.tecoonline.com		
	Drawer: Giulia		

AS BY LAW ENACTED WE RESERVE US THE PROPERTY OF THIS DOCUMENT WITH THE PROHIBITION OF REPRODUCE IT, SAVE IT INTO ACHIVES SYSTEM, GIVE IT OR HOWEVER LENT IT TO THIRD PARTY WITHOUT OUR AUTHORIZATION. EVERY VIOLATION INVOLVES THE COMPENSATION FOR THE UNDERGONE DAMAGES.WE MAKE RESERVATIONS ABOUT ALL THE RIGHTS DERIVING FROM PATENTS OR MODELS.