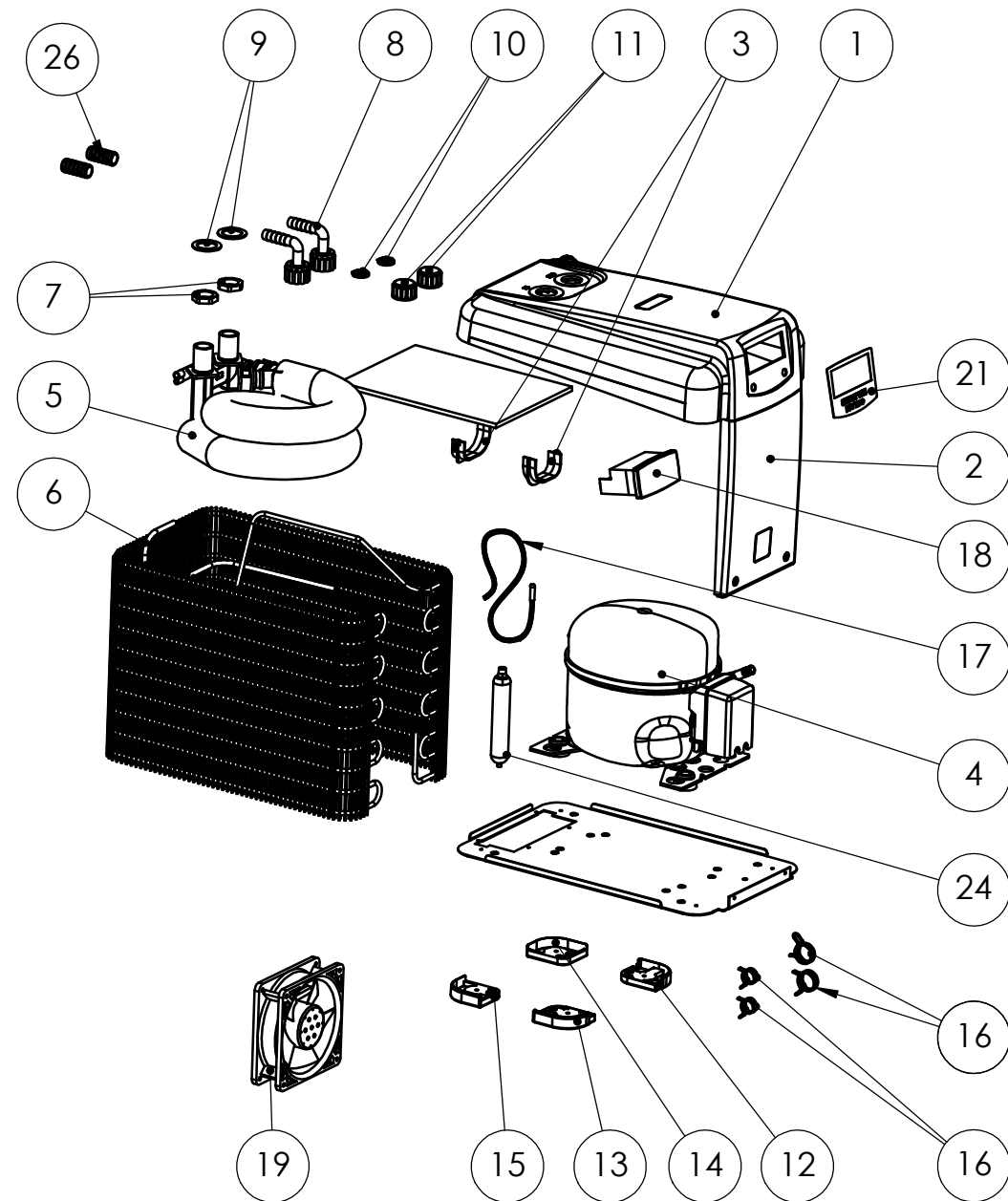


N	CODE	DESCRIZIONE	DESCRIPTION
1	1.1.030	Carenatura HY	Fairing
2	1.1.029	Frontale carenatura	Front fairing
3	1.2.231	Supporto scambiatore	Exchanger support
4a	2.0.009 2.0.007	<u>Compressore</u> <i>(senza parti elettriche e accessori)</i> Compressore 230V 50 and 230V-60Hz Compressore 115V 60Hz	<u>Compressor (without electrical parts and accessories):</u> Compressor 230V 50 and 230V-60Hz Compressor 115V 60Hz
4b	3.5.120 4.1.240 4.9.063	<u>Parti elettriche compressore 230V-50Hz:</u> Fermacavo103N1010 Dispositivo di avviamento PTC 103N0011 Coperchio 103N2011	<u>230V-50Hz compressor electrical parts:</u> Cable clamp 103N1010 Starter device PTC 103N0011 Cover103N2011
	3.5.120 4.1.255 4.9.063 4.3.208	<u>Parti elettriche compressore 230V-60Hz:</u> Fermacavo103N1010 Dispositivo di avviamento 117U6004 Coperchio 103N2011 Condensatore 60µF 117U5014	<u>230V-60Hz compressor electrical parts:</u> Cable clamp 103N1010 Starter device 117U6004 Cover 103N2011 Capacitor 60µF 117U5014
4c	3.5.120 4.1.241 4.9.063	<u>Parti elettriche compressore 115V-60Hz:</u> Fermacavo103N1010 Dispositivo di avviamento PTC 103N0026 Coperchio 103N2011	<u>115V-60Hz compressor electrical parts:</u> Cable clamp 103N1010 Starter device PTC 103N0026 Cover103N2011
	2.9.065 3.5.117 3.5.118 3.5.119	<u>Elementi di fissaggio del compressore e accessori per 230V-50Hz, 230V 60Hz e 115V-60Hz</u> Antivibrante118-3661 Pin inox 118-3586 Clip inox118-3585 Rondella antivibrante 118-3588	<u>Snap on, compressor feet and accesories for 230V-50Hz, 230V 60Hz and 115V-60Hz</u> Feet 118-3661 Pin inox 118-3586 Clip inox118-3585 Washer 118-3588
5	2.2.011	Scambiatore	Exchanger
6	2.3.331	Condensatore a fili	WOT condenser
7	2.4.034	Collare filettato 1/2"	1/2" threaded collar
8	2.4.081	Portagomma curvo 1/2"x12	Pipe holder 1/2"x12
9	2.4.177	Guarnizione carenatura	Fairing gasket
10	2.4.178	Guarnizione EPDM 1/2"	EPDM gasket 1/2"
11	2.9.056	Tappo nylon 1/2"	Nylon cap 1/2"
12	3.5.104	Piedino n.1 HY	Foot n.1
13	3.5.105	Piedino n.2 HY	Foot n.2
14	3.5.106	Piedino n.3 HY	Foot n.3
15	3.5.107	Piedino n. 4 HY	Foot n.4
16	3.5.094	Fascetta a molla d15,5 (per tubo d12)	Hose clamp d15,5 (for d12 pipe)
	3.5.095	Fascetta a molla d21,2 (per tubo d16)	Hose clamp d21,2 (for d16 pipe)
17	4.1.021	Sonda termostato	Thermostat probe
18	TERM01#XX24HY1CC	Termostato 230V-50Hz e 230V-60Hz °C	Thermostat 230V-50Hz and 230V-60Hz °C
	TERM01#XX24HY1CF	Termostato 230V-50Hz e 230V-60Hz °F	Thermostat 230V-50Hz and 230V-60Hz °F
	TERM01#XX25HY1CC	Termostato 115V-60Hz °C	Thermostat 115V-60Hz °C
	TERM01#XX25HY1CF	Termostato 115V-60Hz °F	Thermostat 115V-60Hz °F
19	4.3.163	Ventilatore 230V	Fan 230V
	4.3.164	Ventilatore 115V <i>Fornire insieme a cavo pos.20</i>	Fan 115V <i>To supply with cable ref.20</i>
20	4.6.157	Cavo ventilatore 230V	Fan cable 230V
	4.6.158	Cavo ventilatore 115V	Fan cable 115V
21	6.2.496	Etichetta termostato HY	Thermostat label
22	6.3.055	Imballo singolo HY	Packaging box
23	6.9.015	Imballo polistirolo	Styrofoam packaging
24	2.3.380	Filtro deidratatore 15g	Dryer filter 15g
25	4.1.145	Parte elettrica compressore 230V 50-60Hz	230V 50-60Hz Compressor Electrical Part
	4.1.148	Parte elettrica compressore 115V 60Hz	115V 60Hz Compressor Electrical Part
26	2.4.199	Adattatore per tubo ID16	Adaptor for ID16 pipe



Material:	Drawing: Ricambi HY150 / Spare parts HY150		
Thickness:	File: Spare_parts_HYB		
Finishing:	Your code:	Code:	
Volume:	Tol.	Scale: 1:8	Date: 13/02/2020
Approved:	Via A.Sansovino, 35 48124 RAVENNA - ITALY Tel. +39 0544 408333 Fax 280084 http://www.tecoonline.com		
	Drawer: Giulia		

AS BY LAW ENACTED WE RESERVE US THE PROPERTY OF THIS DOCUMENT WITH THE PROHIBITION OF REPRODUCE IT, SAVE IT INTO ARCHIVES SYSTEM, GIVE IT OR HOWEVER LENT IT TO THIRD PARTY WITHOUT OUR AUTHORIZATION. EVERY VIOLATION INVOLVES THE COMPENSATION FOR THE UNDERGONE DAMAGES.WE MAKE RESERVATIONS ABOUT ALL THE RIGHTS DERIVING FROM PATENTS OR MODELS.